

**DEFINOX Germany**

Am Blöcken 20 - D-21493 TALKAU - GERMANY  
Tel. : (49) 04156/83 00 - Fax : (49) 04156/79 09  
E-mail : Rudiger.Brand@t-online.de

**DEFINOX - DEFONTAINE UK Ltd**

Malmesbury Business Park - Tetbury Hill  
Malmesbury SN16-9JU - GREAT BRITAIN  
Tel. : (44) 1666 824 800 - Fax : (44) 1666 822 049  
E-mail : shelagh@uk.defontaine.com

**DEFINOX - DEFONTAINE ITALIA srl**

via Delle Industrie N°13/25-26  
I-20020 ARESE - MILANO - ITALY  
Tel. : (39) 02/93.589.564 - Fax : (39) 02/93.589.558  
E-mail : etosatto@defita.com

**DEFINOX - DEFONTAINE IBERICA SA**

Poligono La Granja Parc. 15  
E-31230 VIANA (Navarra) - SPAIN  
Tel. : (34) 948-646-133 - Fax : (34) 948-646-155  
E-mail : Franck-Albert@definox.com

**DEFINOX - DEFONTAINE of AMERICA, inc.**

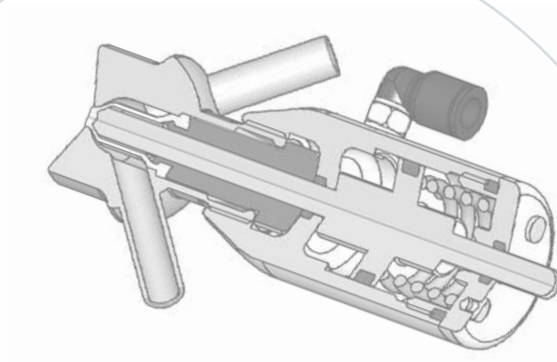
16720 W. Victor Road - New Berlin  
53151 Wisconsin - USA  
Tel. : (1) 262-797-5730 - Fax : (1) 262-797-5735  
E-mail : lbuckett@definox-usa.com

**DEFINOX Beijing Stainless Steel Equipment Ltd**

No 18 Anningzhuang East Road  
Haidian District  
BEIJING 100085 - China  
Tel. : (86) 10.6293.4909  
Fax : (86) 10.6293.4835  
E-mail : xiuli@public3.bta.net.cn

**DEFINOX JAPON Ltd**

Sun-shine 111, Yoshida-cho 1372-10  
Yoshida-cho, Totsuka-ku, Yokohama  
244-0817 JAPAN  
Tel. : (81) 045-869-5797  
Fax : (81) 045-869-5798  
E-mail : definox\_japon@ybb.ne.jp



**DEFINOX - Groupe DEFONTAINE**  
3 rue Louis Renault - BP 329  
44803 SAINT-HERBLAIN Cedex  
FRANCE

Tel.: +33 (0)2 40 67 89 89

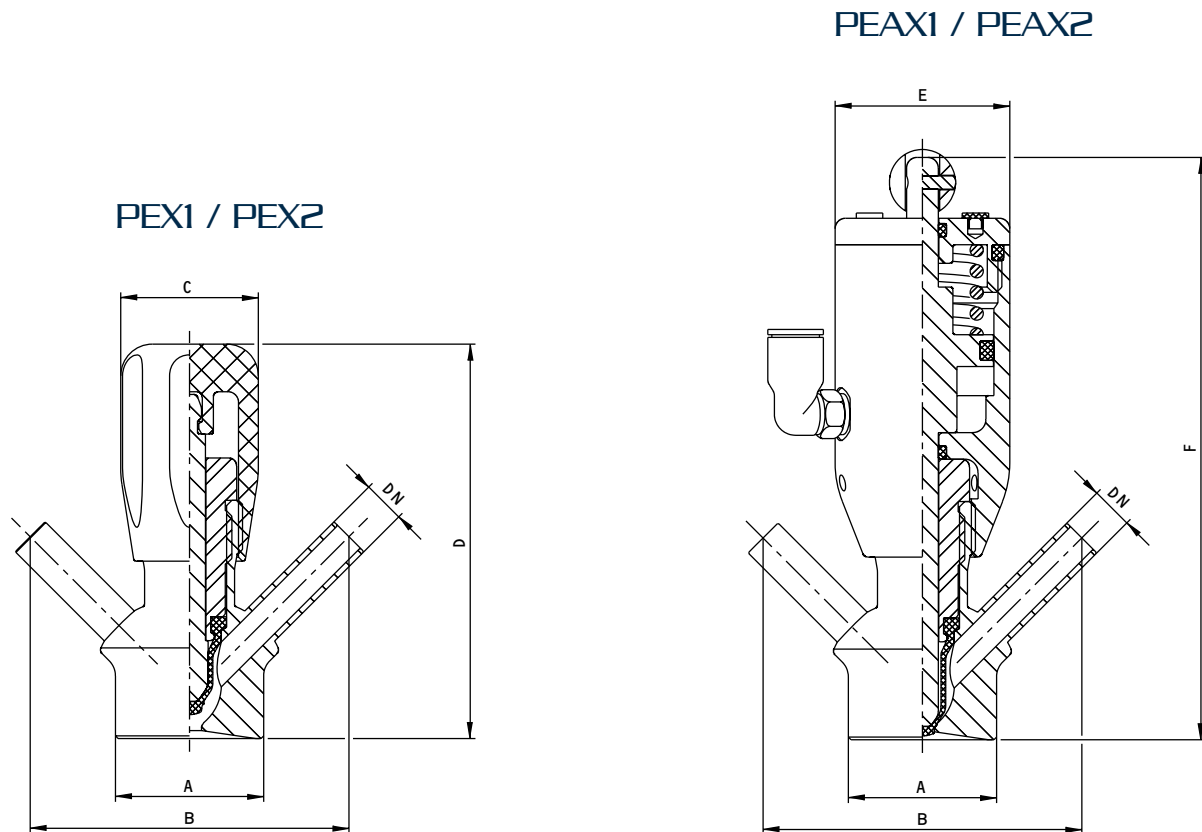
Fax : +33 (0)2 40 67 89 01

E-mail : info@definox.com

Internet : www.defontaine.com

 **DEFINOX**

■ In addition to DEFINOX valves,  
**PEX** and **PEAX** sampling valves



	Dimensions						Weight - Kg	
	A	B	C	D	E	F	PEX	PEAX
DN6/8	∅28	60	∅26	75	∅33	115	0,200	0,500
DN10/12	∅28	65	∅30	90	∅39	140	0,300	0,650
DN16/18	∅48	85	∅39	102	∅55	160	0,750	1,500

Other types of end connections, please contact us.

## Working conditions

Maximum working pressure:  
 manual-automated : 10 bar *(more contact us)*

Minimum temperature: 0°C

Maximum temperature: 120°C *(more, contact us)*

Supply pressure: 4 to 6 bar

Air fitting: ∅ 4/6

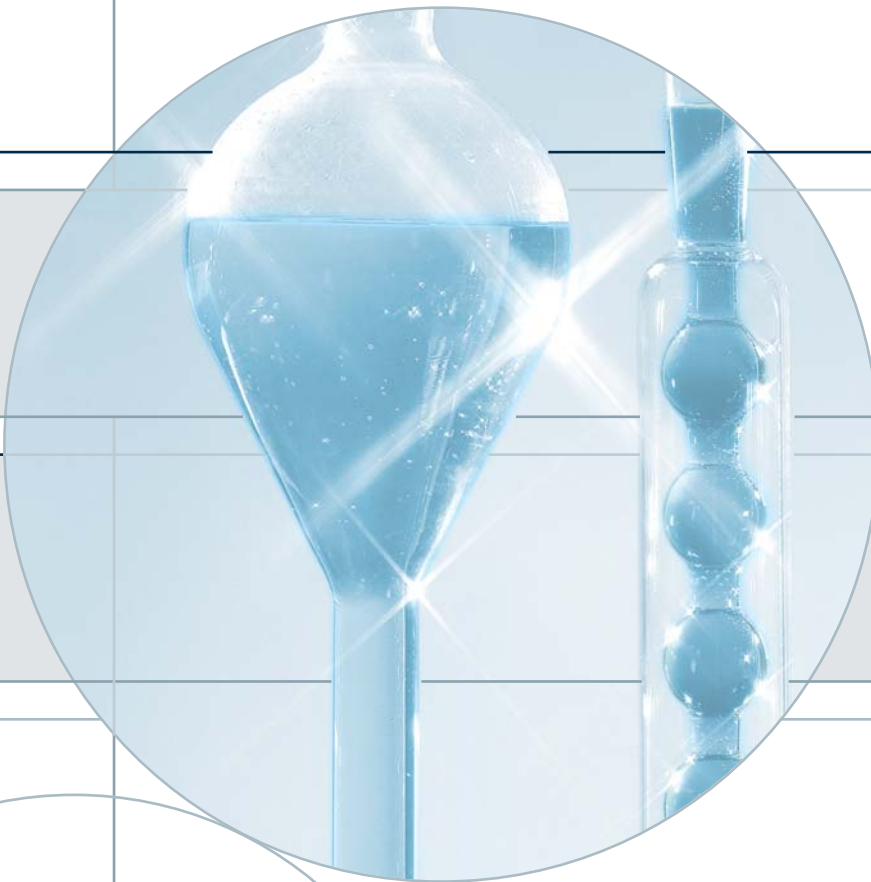
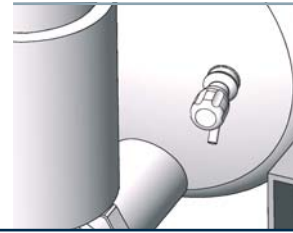
range ■

# of sampling valves



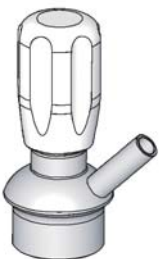
DEFINOX

for  
**simple** and  
**safe** sampling



DEFINOX sampling valves provide a simple and safe sampling solution for the food, pharmaceutical and cosmetics industries.

FLAME STERILIZATION



Manual type  
PEX1 one branch

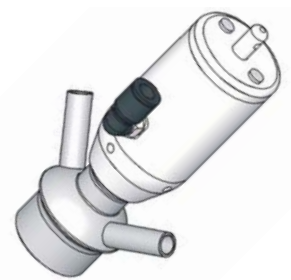


Automated type  
PEAX1 one branch

CIRCULATION OF STERILIZING AGENT



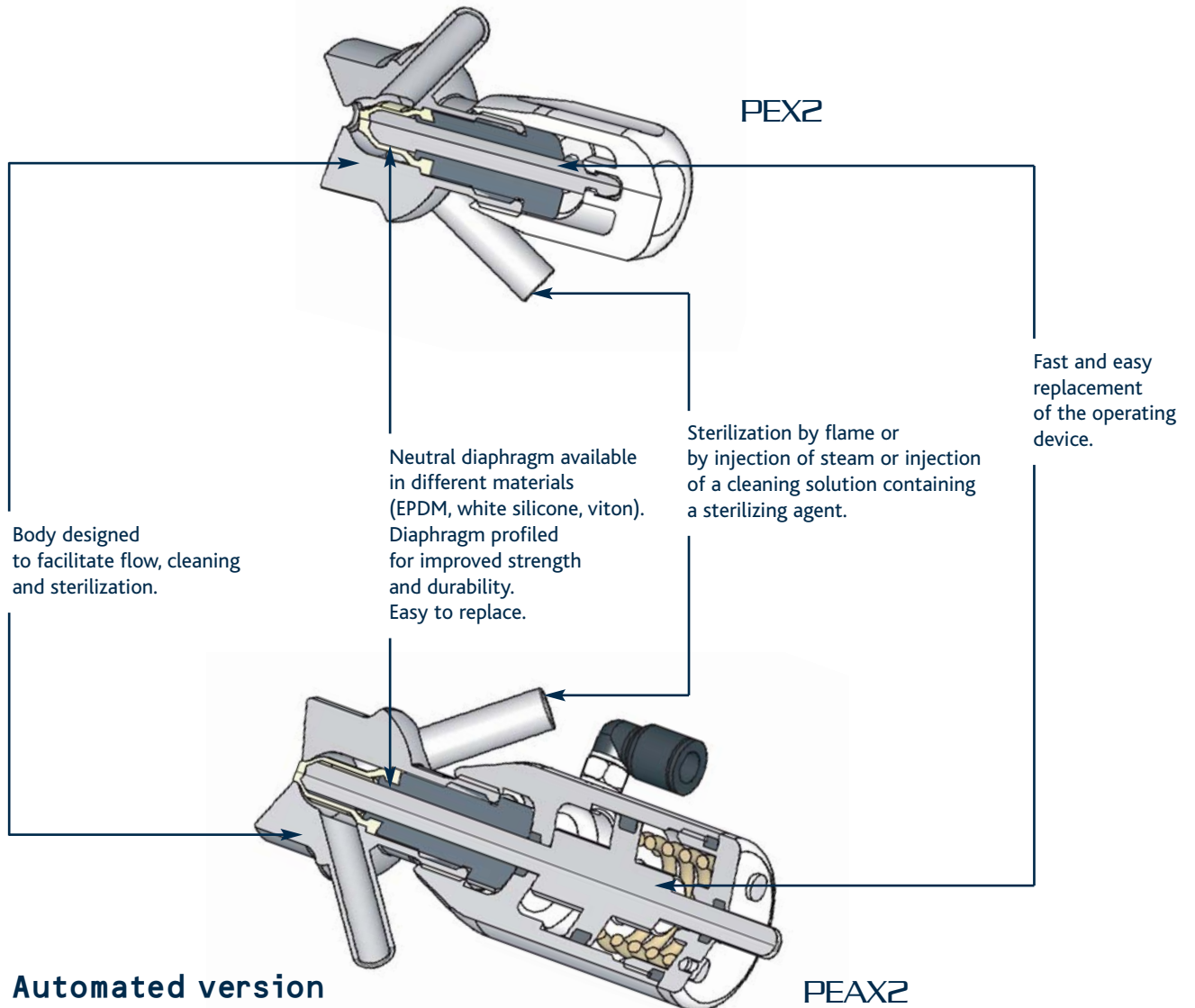
Manual type  
PEX2 two branches



Automated type  
PEAX2 two branches

## Manual version

with handle in white plastic.  
Stainless steel handle available upon request.



## Automated version

with compact stainless steel pneumatic actuator.  
Detection possible.

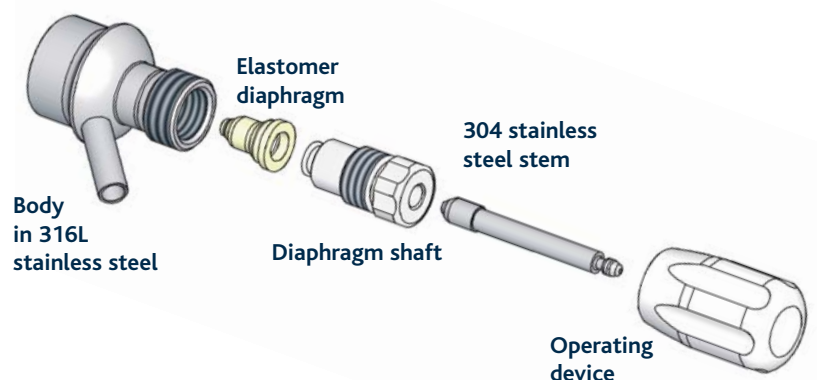
### Characteristics

Finish:

- Ra = 0.8  $\mu\text{m}$ , standard.
- Ra = 0.4  $\mu\text{m}$ , upon request.

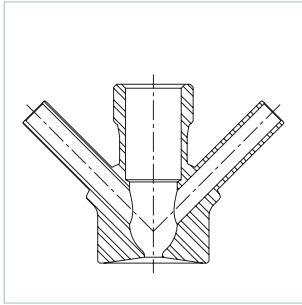
Body made of 316L stainless steel machined from solid.

FDA approved Elastomer diaphragm.

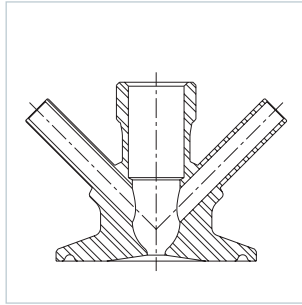


# ■ Sampling valve connections 1 branch or 2 branches

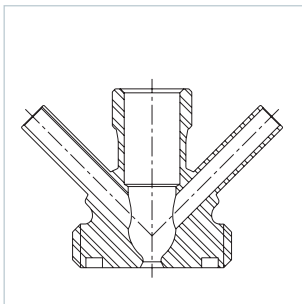
Standard,  
for welding onto the wall



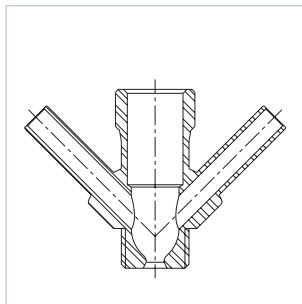
Clamp end



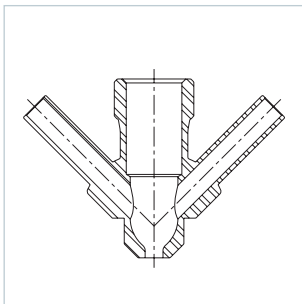
SMS or DIN male end



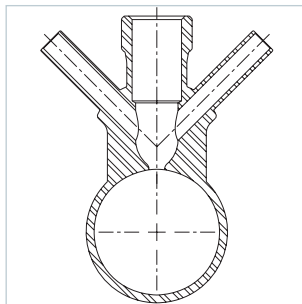
Male gas end



For welding onto  
the pipe line



Supplied welded  
on tube  
(horizontal or vertical)



## ■ Option for the automated version

Upon request, stainless steel  
lever can be added for manual  
control of an automatic cycle.

